

Field Assembly Optical Connector

FC Universal Type

DESCRIPTION

KOC's FC Universal type Field Assembly Optical Connector(FAOC) is designed for fast and simple field termination of FTTH Drop cable and Indoor cables without any extra manufacturing process like polishing and epoxy on the ferrule. The FAOC is made with high precision and quality zirconia ferrule and provide a highly reliable connection in most of the fiber optic network application.



FEATURES

Highly stable and reliable performance
 Intermateability : IEC 61754-13
 EU regulation : RoHS
 Flammability Grade : UL94 V-0(Optional)
 High Success Rate design and technology
 Reusable termination capability(up to 5 times)

APPLICATION

Fiber To The Home network
 Fiber Optic cable Distribution network

Classification	Length	Cable Size	Part Number	Color	
				Body	Boot
FC Universal Boot	51mm	0.25~3.0mm 2x3mm	FAOC-FC/UPC-SM-U-2030	Blue	Gray
			FAOC-FC/APC-SM-U-2030	Green	Gray
			FAOC-FC/UPC-OM1-U-0025/0300	Beige	Gray
			FAOC-FC/UPC-OM2-U-0025/0300	Beige	Gray
			FAOC-FC/UPC-OM3-U-0025/0300	Aqua	Gray

USER GUIDE

Fiber/Cable	Size (mm)	FC			
		FC Round Hard Boot			FC Universal 51
		FC 50	FC 51	FC 57	
Bare Fiber	0.25	○			○
Indoor Cable	0.9	○			○
	2.0		○		○
	3.0		○	○	○
FTTH Drop Cable	3.0		○	○	○
	2.0 x 3.0				○

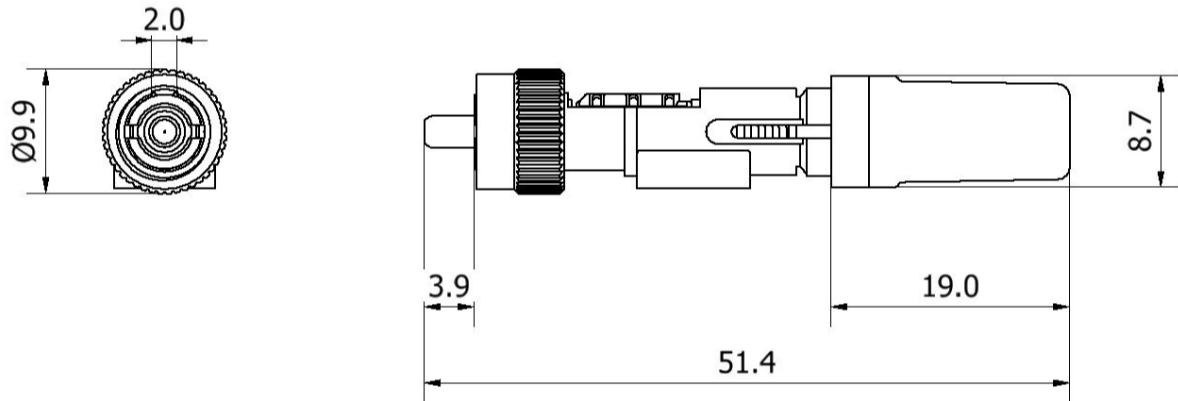


Field Assembly Optical Connector

FC Universal Type

DIMENSION

FC Universal 51mm



OPTICAL PERFORMANCE

Characteristics	Condition	Unit	Value		
			Min	Mean	Max
Insertion Loss	UPC	dB		0.30	0.50
	APC	dB		0.30	0.50
Return Loss	UPC	dB	50.0	53.0	
	APC	dB	55.0	62.0	

GEOMETRY MANAGEMENT

PARAMETER	Unit	SPEC(PC/APC)	REFERENCE
Radius of Curvature	mm	7~25 / 7~12	GR-326-CORE 4.4.5 Geometry Requirement.
Dome Offset(Max)	um	50 / 50	
Undercut or Protrusion(Max)	nm	-125~50 / -100~100	

END FACE MANAGEMENT

ZONES	SCRATCHES	DEFECTS	REFERENCE
A : Core (0 to 25um)	None	None	IEC 61300-3-35
B : Cladding (25 to 120um)	No limit : <= 3um None : > 3um	No limit : < 2um Five : from 2 to 5um None : > 5um	
C : Adhesive (120 to 130um)	No limit	No limit	
D : Contact (130 to 250um)	No limit	None : >=10um	

Field Assembly Optical Connector

FC Universal Type

ORDERING INFORMATION

