

# Field Assembly Optical Connector

## FC Hard Boot

### DESCRIPTION

KOC's FC Hard type Field Assembly Optical Connector(FAOC) is designed for fast and simple field termination of FTTH Drop cable and Indoor cables without any extra manufacturing process like polishing and epoxy on the ferrule. The FAOC is made with high precision and quality zirconia ferrule and provide a highly reliable connection in most of the fiber optic network application.



### FEATURES

Highly stable and reliable performance  
 Intermateability : IEC 61754-13  
 EU regulation : RoHS  
 Flammability Grade : UL94 V-0(Optional)  
 High Success Rate design and technology  
 Reusable termination capability(up to 5 times)

### APPLICATION

Fiber To The Home network  
 Fiber Optic cable Distribution network

Classification	Length	Cable Size	Part Number	Color	
				Body	Boot
FC Hard Boot	50mm	0.25mm (Bare fiber) & 0.9mm	FAOC-FC/UPC-SM-H(50)-0025/0090	Blue	Grey
			FAOC-FC/APC-SM-H(50)-0025/0090	Green	Grey
			FAOC-FC/UPC-OM1-H(50)-0025/0090	Beige	Grey
			FAOC-FC/UPC-OM2-H(50)-0025/0090	Beige	Grey
			FAOC-FC/UPC-OM3-H(50)-0025/0090	Aqua	Grey
			FAOC-FC/UPC-OM4-H(50)-0025/0090	Aqua	Grey
	51mm	2.0mm & 3.0mm	FAOC-FC/UPC-SM-H(51)-0200/0300	Blue	Grey
			FAOC-FC/APC-SM-H(51)-0200/0300	Green	Grey
			FAOC-FC/UPC-OM1-H(51)-0200/0300	Beige	Grey
			FAOC-FC/UPC-OM2-H(51)-0200/0300	Beige	Grey
			FAOC-FC/UPC-OM3-H(51)-0200/0300	Aqua	Grey
			FAOC-FC/UPC-OM3-H(51)-0200/0300	Aqua	Grey
	56mm	3.0mm	FAOC-FC/UPC-SM-H(57)-0300	Blue	Grey
			FAOC-FC/APC-SM-H(57)-0300	Green	Grey
			FAOC-FC/UPC-OM1-H(57)-0300	Beige	Grey
			FAOC-FC/UPC-OM2-H(57)-0300	Beige	Grey
			FAOC-FC/UPC-OM3-H(57)-0300	Aqua	Grey
			FAOC-FC/UPC-OM4-H(57)-0300	Aqua	Grey



# Field Assembly Optical Connector

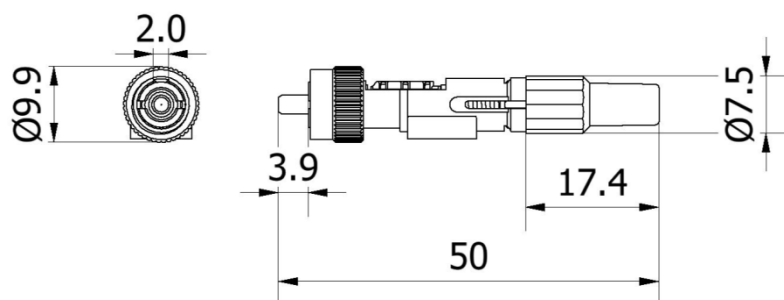
## FC Hard Boot

### USER GUIDE

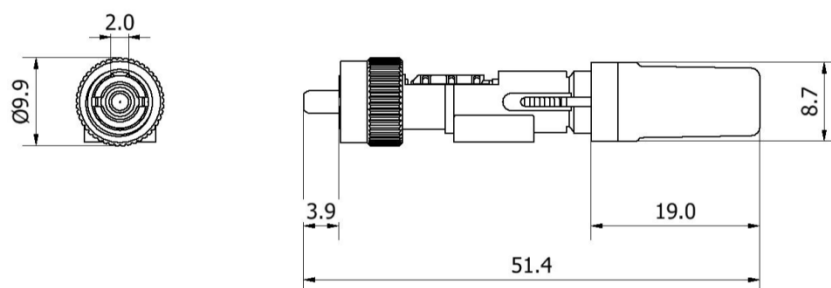
Fiber/Cable	Size (mm)	FC			
		FC Round Hard Boot			FC Universal 51
		FC 50	FC 51	FC 57	
Bare Fiber	0.25	○			○
Indoor Cable	0.9	○			○
	2.0		○		○
	3.0		○	○	○
FTTH Drop Cable	3.0		○	○	○
	2.0 x 3.0				○

### DIMENSION

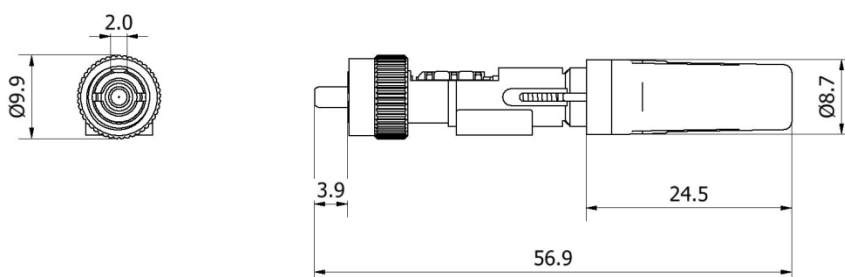
#### FC Hard Boot 50mm



#### FC Hard Boot 51mm



#### FC Hard Boot 57mm



# Field Assembly Optical Connector

## FC Hard Boot

### OPTICAL PERFORMANCE

Characteristics	Condition	Unit	Value		
			Min	Mean	Max
Insertion Loss	UPC	dB		0.30	0.50
	APC	dB		0.30	0.50
Return Loss	UPC	dB	50.0	53.0	
	APC	dB	55.0	62.0	

### GEOMETRY MANAGEMENT

PARAMETER	Unit	SPEC(PC/APC)	REFERENCE
Radius of Curvature	mm	7~25 / 7~12	GR-326-CORE 4.4.5 Geometry Requirement.
Dome Offset(Max)	um	50 / 50	
Undercut or Protrusion(Max)	nm	-125~50 / -100~100	

### END FACE MANAGEMENT

ZONES	SCRATCHES	DEFECTS	REFERENCE
A : Core (0 to 25um)	None	None	IEC 61300-3-35
B : Cladding (25 to 120um)	No limit : <= 3um None : > 3um	No limit : < 2um Five : from 2 to 5um None : > 5um	
C : Adhesive (120 to 130um)	No limit	No limit	
D : Contact (130 to 250um)	No limit	None : >=10um	

### ORDERING INFORMATION

FAOC-FC/ \_\_\_\_\_ - \_\_\_\_\_ - \_\_\_\_\_ - \_\_\_\_\_

