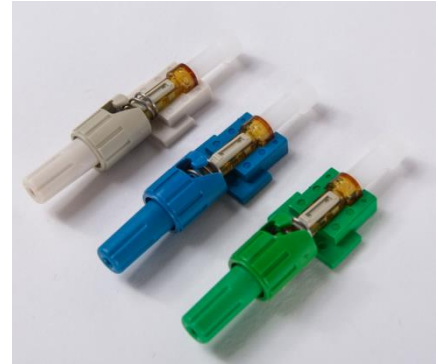


Field Assembly Optical Connector

ST Hard Boot

DESCRIPTION

KOC's ST Hard type Field Assembly Optical Connector(FAOC) is designed for fast and simple field termination of FTTH Drop cable and Indoor cables without any extra manufacturing process like polishing and epoxy on the ferrule. The FAOC is made with high precision and quality zirconia ferrule and provide a highly reliable connection in most of the fiber optic network application.



FEATURES

Highly stable and reliable performance
Intermateability : IEC 61754-2
EU regulation : RoHS
Flammability Grade : UL94 V-0(Optional)
High Success Rate design and technology
Reusable termination capability(up to 5 times)

APPLICATION

Fiber To The Home network
Fiber Optic cable Distribution network

Classification	Length	Cable Size	Part Number	Color	
				Body	Boot
ST Hard Boot	44mm	0.25mm (Bare fiber)/ 0.9mm/ 2.0mm	FAOC-ST/UPC-SM-H(44)-0025/0200	Blue	Blue
			FAOC-ST/APC-SM-H(44)-0025/0200	Green	Green
			FAOC-ST/UPC-OM1-H(44)-0025/0200	Beige	White
			FAOC-ST/UPC-OM2-H(44)-0025/0200	Beige	White
			FAOC-ST/UPC-OM3-H(44)-0025/0200	Aqua	White
			FAOC-ST/UPC-OM4-H(44)-0025/0200	Aqua	White
	51mm	3.0mm	FAOC-ST/UPC-SM-H(51)-0300	Blue	Blue
			FAOC-ST/APC-SM-H(51)-0300	Green	Green
			FAOC-ST/UPC-OM1-H(51)-0300	Beige	White
			FAOC-ST/UPC-OM2-H(51)-0300	Beige	White
			FAOC-ST/UPC-OM3-H(51)-0300	Aqua	White
			FAOC-ST/UPC-OM4-H(51)-0300	Aqua	White

Field Assembly Optical Connector

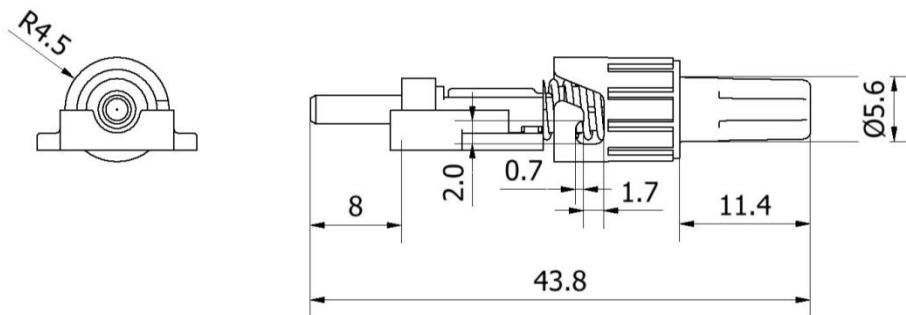
ST Hard Boot

USER GUIDE

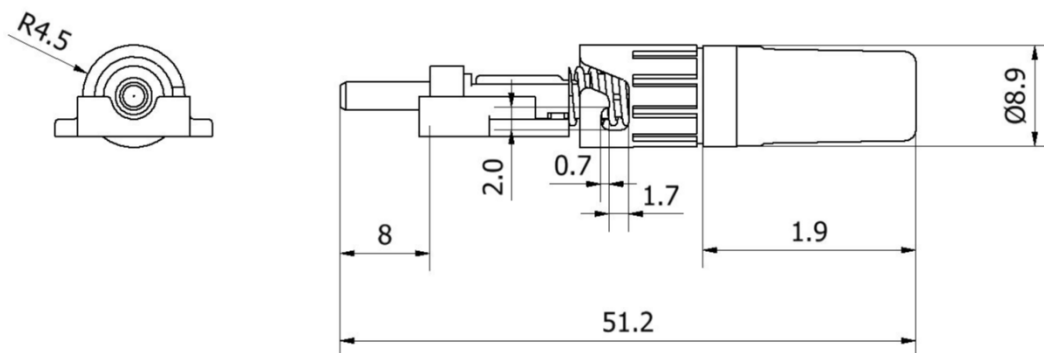
Fiber/Cable	Size (mm)	ST	
		ST 44	ST 51
Bare Fiber	0.25	○	
Indoor Cable	0.9	○	
	2.0	○	
	3.0		○
FTTH Drop Cable	3.0		○

DIMENSION

ST Hard Boot 44mm



ST Hard Boot 51mm



Field Assembly Optical Connector

ST Hard Boot

OPTICAL PERFORMANCE

Characteristics	Condition	Unit	Value		
			Min	Mean	Max
Insertion Loss	UPC	dB		0.30	0.50
	APC	dB		0.30	0.50
Return Loss	UPC	dB	50.0	53.0	
	APC	dB	55.0	62.0	

GEOMETRY MANAGEMENT

PARAMETER	Unit	SPEC(PC/APC)	REFERENCE
Radius of Curvature	mm	7~25 / 7~12	GR-326-CORE 4.4.5 Geometry Requirement.
Dome Offset(Max)	um	50 / 50	
Undercut or Protrusion(Max)	nm	-125~50 / -100~100	

END FACE MANAGEMENT

ZONES	SCRATCHES	DEFECTS	REFERENCE
A : Core (0 to 25um)	None	None	IEC 61300-3-35
B : Cladding (25 to 120um)	No limit : <= 3um None : > 3um	No limit : < 2um Five : from 2 to 5um None : > 5um	
C : Adhesive (120 to 130um)	No limit	No limit	
D : Contact (130 to 250um)	No limit	None : >=10um	

ORDERING INFORMATION

FAOC-ST/ _____ - _____ - _____ - _____

